



# MAYA ECO BRUSHLESS

Servo-driven intermittent-motion VFFS machine combining high speed, precision and great versatility in terms of bag formats and dimensions. The interface ensures a great control of several parameters of the bagger to get the best possible performances. The machine has fully compatibility with all type of fillers and compared to other machines, has a small footprint conserving significant floor space.

The Maya Eco range of machines also includes the pneumatic jaw and the inclined version for fragile products.



SCAN ME

## Performances up to 110 bpm

Compact design

7" HD color touch screen

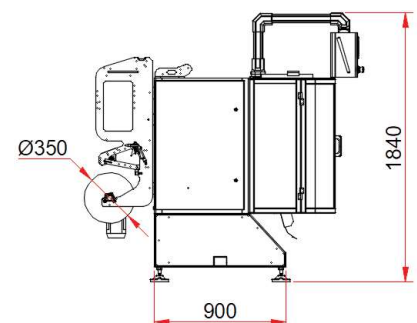
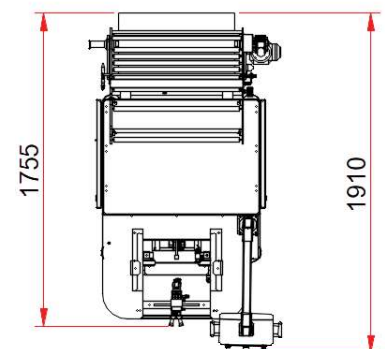
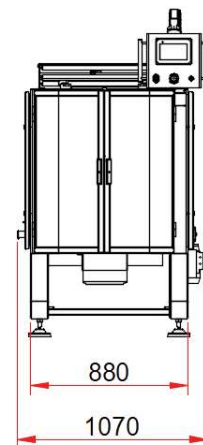
Wide film reel with the same bagger

Great control of several parameters of the machine



## Technical Data

Max mechanical speed	110 bpm brushless version
Forming tube's dimensions	Min Ø 50mm / 1,97"; Max Ø 200mm / 7,87";
Vertical sealing bar	400mm / 15,74" (double pull available)
Horizontal sealing bar	350mm / 13,77"
Min reel's width	150 mm / 5,9"
Max reel's width	650 mm / 25,59"
Min reel's internal Ø	76,2 mm / 3"
Max reel's external Ø	350 mm / 13,77"
Packaging materials	Thermo-sealing films (polythene, laminates, polypropylene, barrier films)
Vertical sealing	Pneumatic bar
Horizontal sealing	Brushless Kollmorgen or Siemens branded
Horizontal sealing bars	Intermittent
Pull belts	Brushless Kollmorgen or Siemens branded
Controlling system	Kollmorgen or Siemens PLC
Recipes	40
Interface	7" color touch screen
Electrical supply	220/380/400V, 50Hz
Compressed air	6 bar
Compressed air pipe	¼ diameter 8-10 mm
Compressed air consumption	5 NI/cycle
Installed power (without options)	4 kWatt
Structure's material	Stainless steel AISI 304
Weight	~ 500 kg



## Options

- Gas injection to pack in MAP
- Thermal transfer printers
- Vacuum chamber
- Stabilo device mounted on board (max measures 160x70x6/150x80x6mm)
- Square bottom and flap folding kit
- Vacuum pull belts
- UL complaint
- Eurohole jaws
- Strip of bags
- Many others upon request

## Main bag formats

- Pillow
- Flat bottom
- Quad sealed bags

## Special versions

- Polyethylene kit for PE bags

Pictures of packed products are not of promotional nature, but meant to stand as examples of different packaging types. Not all represented products were packed by Sigitaspak s.r.l.

