



MINI & MINI SUPER

Horizontal packaging machines MINI and MINI SUPER allow to realize three-seals bags starting from a plain reel of thermo-sealing film. Its compact dimensions together with the simple use make it very flexible and ideal to pack a large variety of food and non-food products. From the 4,3" touch screen it is possible to select pre-recorded recipes and set bag's length and various options. It is moved by two motors which grant the perfect machine's functioning and are coupled to an adjustable mechanical slowing, also when machine is working.



Performances up to 60 bpm

Small footprint

Ideal for small productions in workshops and supermarkets

Ideal to pack products in single bag

Structure on wheels

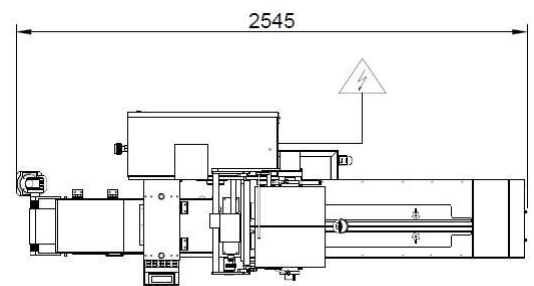
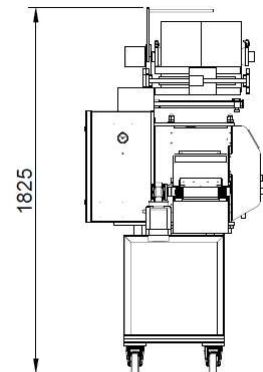
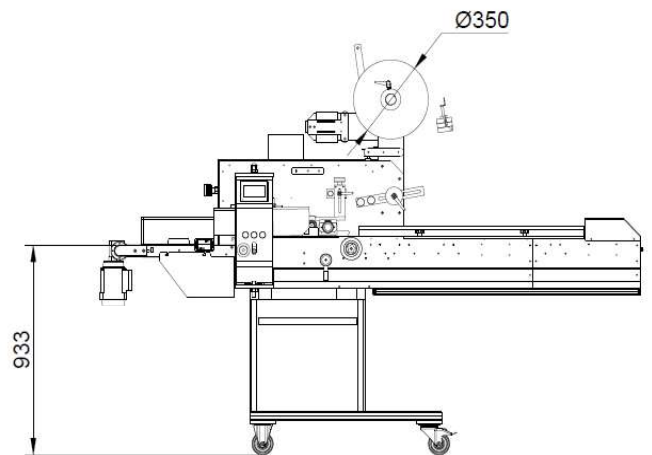


Technical Data

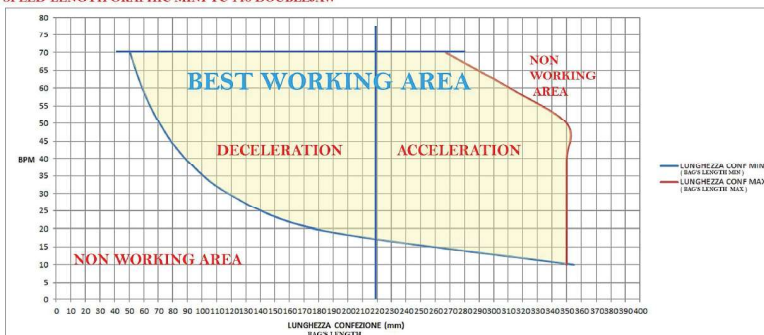
Max mechanical speed	Up to 60 bpm
Reel's max external Ø	350 mm / 13,78"
Reel's max width	400 mm / 15,75"
Product's max height	75mm / 2,95" with single jaw 50mm / 1,97" with double jaw
Packaging materials	Polypropylene, coupled, metallized
Recipes	10 (expandable)
Interface	4,3" color touch screen
Electrical supply	220V, single phase + G
Installed power	3 kW
Structure's material	Stainless steel AISI 304
Weight	~ 320 kg

Options

- Version with single jaw
- Zig-zag or easy opening blades
- Alcohol sprayer + tank
- Printer
- Lowered jaws'/wheels' seal
- Pitch change
- Side gussets
- Loading conveyor's elongation



SPEED-LENGTH GRAPHIC MINI TC 140 DOUBLEJAW



Pictures of packed products are not of promotional nature, but meant to stand as examples of different packaging types. Not all represented products were packed by Sigitaspak s.r.l.

