



EURO 600 INT BA & BB

The EURO 600 INT horizontal flow wrappers are the ideal solution to package long shelf-life products having the compatibility with gas injection (MAP) or flavor spraying.

The intermittent jaws motion sealing system, ensures the perfect tightness of each bag. The EURO 600 INT is also indicated for small productions with a great value for customers' investments.

The EURO 600 INT range of machines includes bottom seal (film reel from above) and top seal (film reel from below) solutions for difficult products.

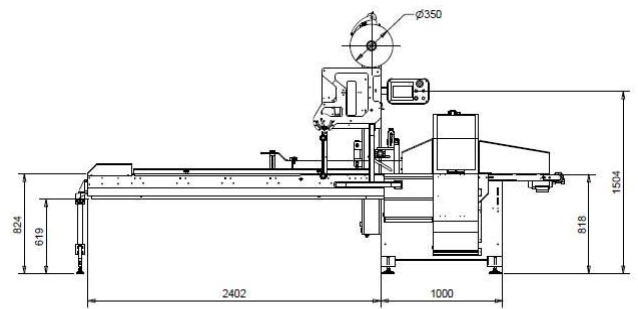


- Performances up to 25 bpm
- Stainless steel structure
- Reel's width up to 600 mm / 23,62"
- Brushless motorization



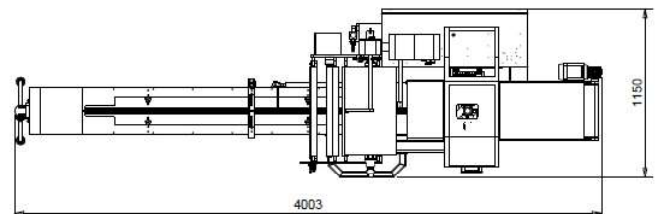
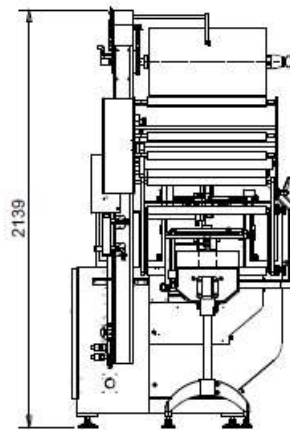
Technical Data

Max mechanical speed	Up to 25 bpm
Reel's max external Ø	350 mm / 13,78"
Reel's max width	600 mm / 23,62" (720 mm / 28,34" upon request)
Product's max length	1000 mm / 39,37" (limitless with cutter function)
Product's max height	135 mm / 5,31"
Packaging materials	Polypropylene, coupled, metallized, pearled and cold seal films
Recipes	40
Interface	7,7" color touch screen
Electrical supply	380V, 3P + N + G (other upon request)
Installed power	8 kW
Structure's material	Stainless steel AISI 304
Weight	~ 500 kg



Options

- Euroslot
- No Product - No Bag
- Reel holder with pneumatic expansion
- Right-hand version
- Alcohol sprayer + tank
- Printer
- Gas injection device MAP
- Pneumatic gusseting
- Remote connection device
- Manual cutting height adjustment
- Motorized film unwinding system
- Automatic film roll replacement
- Lowered wheels' seal
- Pitch change
- Side gussets
- Loading conveyor elongation
- In-Out pressure device



Pictures of packed products are not of promotional nature, but meant to stand as examples of different packaging types. Not all represented products were packed by Sigitaspak s.r.l.

