



## MINI MAYA

Robust and compact packaging machine, realized in vertical or inclined version to reduce breakages or damages for fragile and/or delicate products.

Available in varnished or stainless steel AISI 304, it grants the respect of hygiene standards as well as packaging quality.

Its particularly small dimensions allow to satisfy the packaging needs also of limited artisanal productions.

The off-the-rack pneumatic reel-holder, the wide 7" color touch screen, the rapid change of the forming tube and high quality components are only some of the features making it a point of reference among the Entry-level machines.

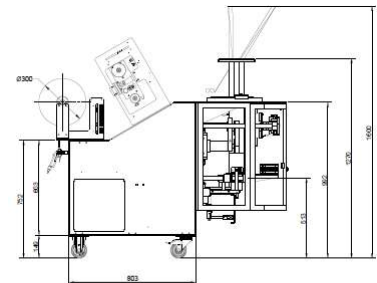
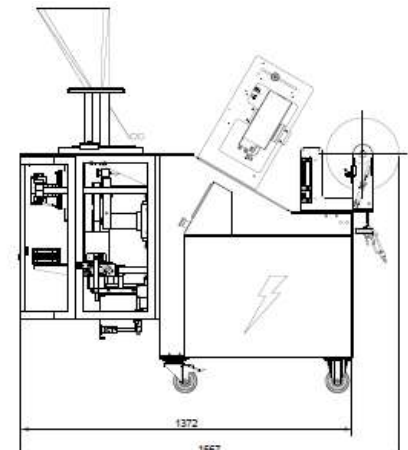
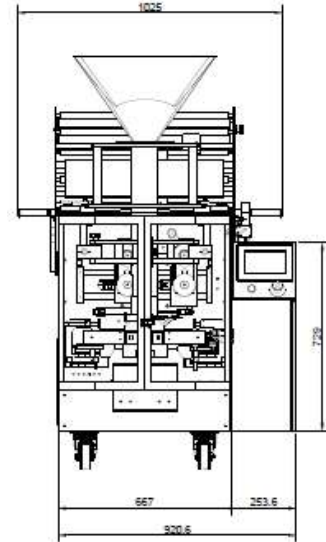


- Performances up to 45 bpm
- Very compact dimensions
- Reel-holder shaft with pneumatic expansion
- Pillow and flat bottom bag



## Technical Data

Max mechanical speed	Up to 45 bpm
Pillow bag's max width	270 mm / 10,63"
Bag's max length	240 mm / 9,44" (480 mm / 18,89" with double pull)
Reel's max width	560 mm / 22,04"
Reel's max external Ø	300 mm / 11,81"
Reel's internal Ø	76,2 mm / 3"
Max forming tube's Ø	170 mm / 6,69"
Packaging materials	Polypropylene, laminates, polyethylene, barrier films, net films
Vertical sealing	Pneumatic
Horizontal sealing	Pneumatic
Recipes	10 (expandable)
Interface	7" color touch screen
Electrical supply	380 V, three-phase + N + G
Compressed air	6 bar
Compressed air pipe	8 mm / 0,31"
Compressed air consumption	430 l/min.
Installed power	3 kW
Structure's material	Stainless Steel
Weight	~ 300 kg



## Options

- Square bottom device
- Pneumatic bag's support
- Exit conveyor
- Printer
- Gas injection

## Main bag formats

- Pillow
- Flat bottom

## Special versions

- Inclined bagger for fragile products
- Polyethylene kit for PE bags

Pictures of packed products are not of promotional nature, but meant to stand as examples of different packaging types. Not all represented products were packed by Sigitaspak s.r.l.

