



MAYA ECO

Compact and robust packaging machine, available in its vertical version or with fix inclination. It is manufactured with a frame of stainless steel AISI 304 to grant the highest packaging hygiene and quality standards.

Pneumatic reel-holder, movable rear bracket and motorized reel-holder shaft come as standard supply. 7" color touch screen for simple Human-Machine Interface. The quick replacement of the forming tube and the employment of first level components make it a reference among the machines of its category.

Many options and configurations are available.



SCAN ME

Performances up to 60 bpm

Stainless steel AISI 304

Compact design

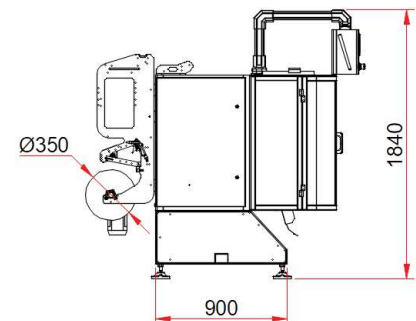
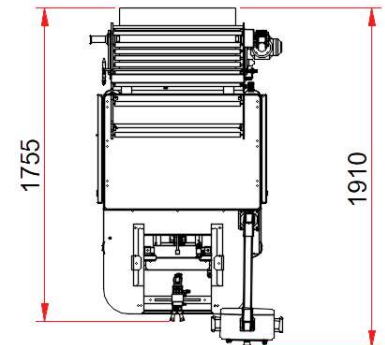
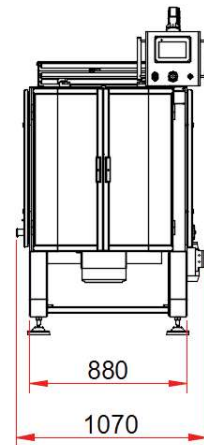
Wide film reel with the same bagger

Great control of several parameters of the machine



Technical Data

Max mechanical speed	60 bpm
Forming tube's dimensions	Min Ø 50mm / 1,97"; Max Ø 200mm / 7,87";
Vertical sealing bar	400mm / 15,74"
Horizontal sealing bar	350mm / 13,77"
Min reel's width	150 mm / 5,9"
Max reel's width	650 mm / 25,59"
Min reel's internal Ø	76,2 mm / 3"
Max reel's external Ø	350 mm / 13,77"
Packaging materials	Thermo-sealing films (polythene, laminates, polypropylene, barrier films)
Vertical sealing	Pneumatic bar
Horizontal sealing	Pneumatic kinematics
Horizontal sealing bars	Intermittent
Pull belts	Asynchronous
Controlling system	Siemens PLC
Recipes	40
Interface	7" color touch screen
Electrical supply	220/380/400V, 50Hz
Compressed air	6 bar
Compressed air pipe	¼ diameter 8-10 mm
Compressed air consumption	5 NI/cycle
Installed power (without options)	4 kWatt
Structure's material	Stainless steel AISI 304
Weight	~ 500 kg



Options

- Gas injection to pack in MAP
- Thermal transfer printers
- Vacuum chamber
- Stabilo device mounted on board (max measures 160x70x6/150x80x6mm)
- Square bottom and flap folding kit
- Eurohole jaws
- Strip of bags
- Many others upon request

Main bag formats

- Pillow
- Flat bottom
- Quad sealed bags

Special versions

- Inclined bagger for fragile products
- Polyethylene kit for PE bags

Pictures of packed products are not of promotional nature, but meant to stand as examples of different packaging types. Not all represented products were packed by Sigitaspak s.r.l.

